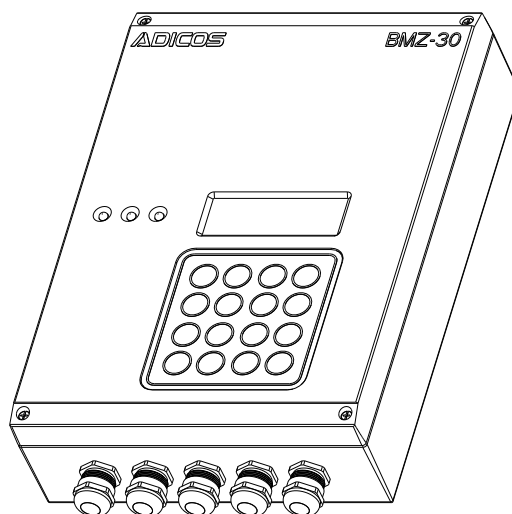


## BMZ-30

*Fire control panel for operation of ADICOS special fire detectors, with serial interface, integrated power supply and UPS support*

### Characteristics

- *Sturdy design with aluminium diecast housing*
- *Extensive tolerance towards humidity and dust*
- *Communication with up to 250 detectors*
- *Power supply for up to 25 detectors*
- *Integrated overload protection*
- *Serial interface for connection to service-PC with the ADICOS central software*
- *Ethernet- und modem-extension available*
- *Fast and easy installation due to mutual cable for power supply and data signals*
- *Input for 24V uninterruptible power supply*
- *Integrated character-display for output of detector status information*
- *Large key pad for easy operation*
- *Alarm logging for each detector*
- *Error logging for each detector*
- *Maintenance mode*
- *Relay extension module with potential-free alarm contact for detector groups*



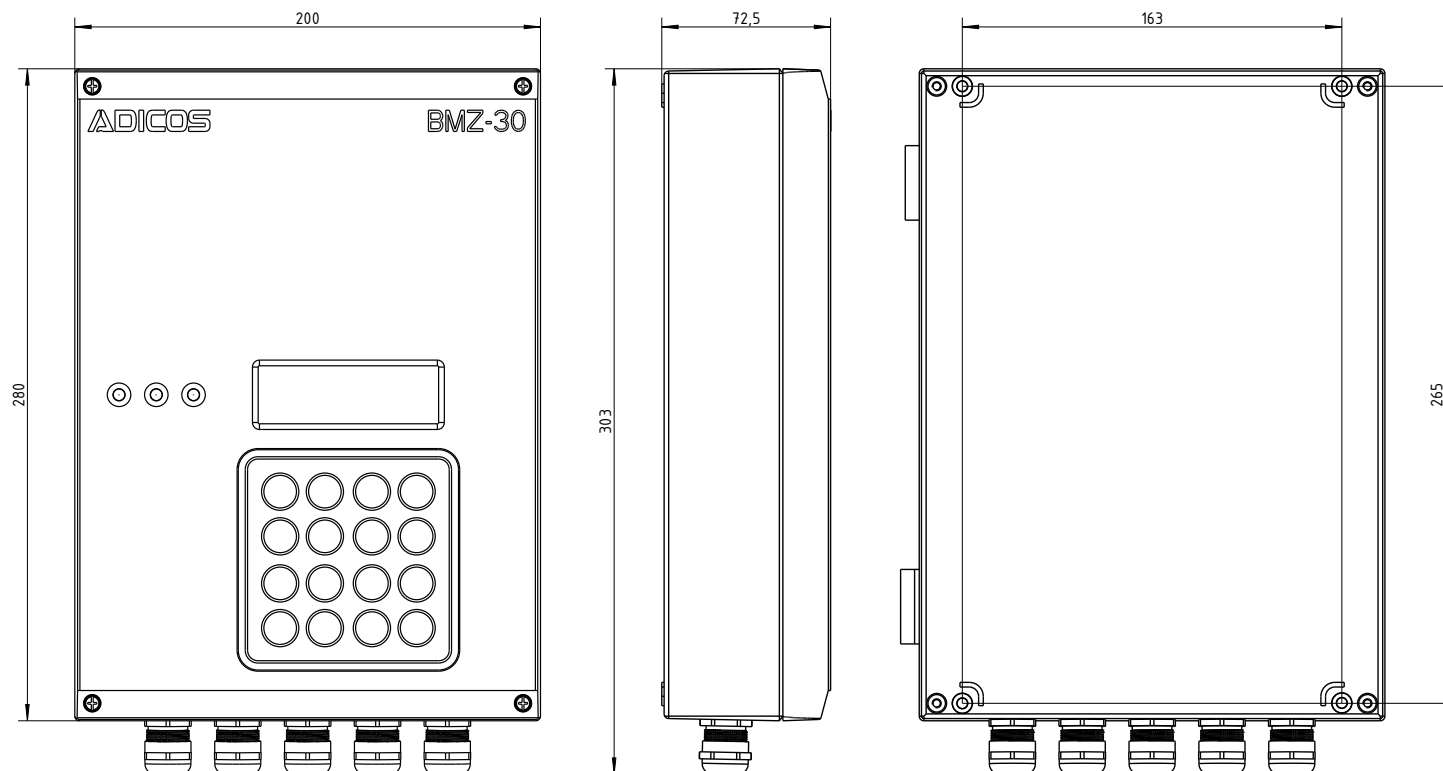
ADICOS BMZ-30 is one of three types of master units for the Advanced Discovery System („ADICOS“), which was specifically designed to provide reliable early fire detection in industrial surroundings. It provides communication signals for up to 250 ADICOS detectors and builds the interface link between the ADICOS installation and the service-PC. This connection is based on RS-232 serial interface by default - ethernet and conventional modem extension modules are available.

BMZ-30 enables to intelligently monitor each detector within an ADICOS fire detection system. It displays status information for the detector units and records alarms and errors in log files. In combination with the ADICOS central software, the service-PC allows an even more sophisticated monitoring of the state of operation of all detectors in the system. In addition to a system overview, each detector can be addressed individually for advanced data-logging and parametrization features. In this way alarm thresholds and sensitivities can be adapted perfectly to the atmosphere around the specific detector. Displaying and analysing gas concentration curves or temperature gradients is also a key feature of the software.

BMZ-30 is equipped with an internal power supply, which provides energy for up to 25 detectors. Smaller installations do therefore not require an additional external power supply. Furthermore the device allows the connection with an uninterruptible power supply to protect the system against temporary mains failure. Its sturdy design in an aluminium diecast housing allows installation directly within extremely dusty or humid atmospheres.

# BMZ-30 - Specifications

## Mechanical dimensions



All dimensions in mm.

## Mechanical characteristics

Enclosure	Coated aluminium diecast (corrosion-resistant)
Weight	2.9 kg
Dimensions	72.5 x 208 x 350 mm
Protection class	IP 65

## Thermal characteristics

Relative humidity	20 ... 99 % (non-condensing)
Temperature range	-10 ... +50 °C

## Electrical characteristics

Mains supply voltage	230 V AC $\pm$ 15 %
Mains fusing	1 A sb
UPS input voltage	20 ... 27 V DC
UPS input fusing	4 A sb
Max. power consumption	105 VA
Output voltage M-Bus	38 ... 40 V DC
Output fusing M-Bus	2.5 A sb
Max. output power M-Bus	60 W (internal output current limitation 1.5 A)
Baudrate M-Bus	4800 baud resp. 9600 baud
Max. line length M-Bus	$\approx$ 2 km @ 4800 baud resp. $\approx$ 1 km @ 9600 baud
Max. line length RS-232	2.5 m
Max. amount of detectors	250

# BMZ-30 - Application

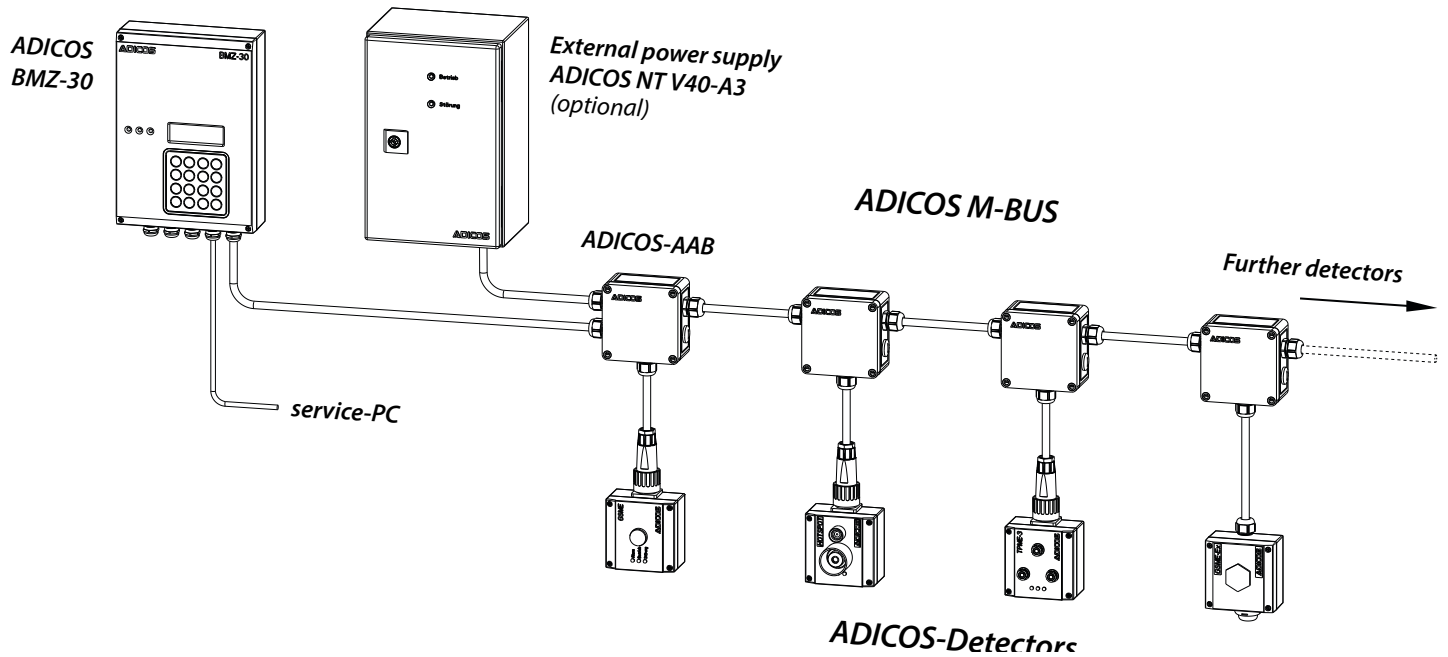
## Planning notes for ADICOS installations



### ATTENTION!

Planning of fire detection system for industrial surroundings requires special expertise.  
Placement and alignment of ADICOS-Detectors has to be done by specialist planners!

## ADICOS topology concept



Distributor:



FLAME MONITORING,  
FIRE & GAS DETECTION